

{ DIY Sewing Machine Cover }

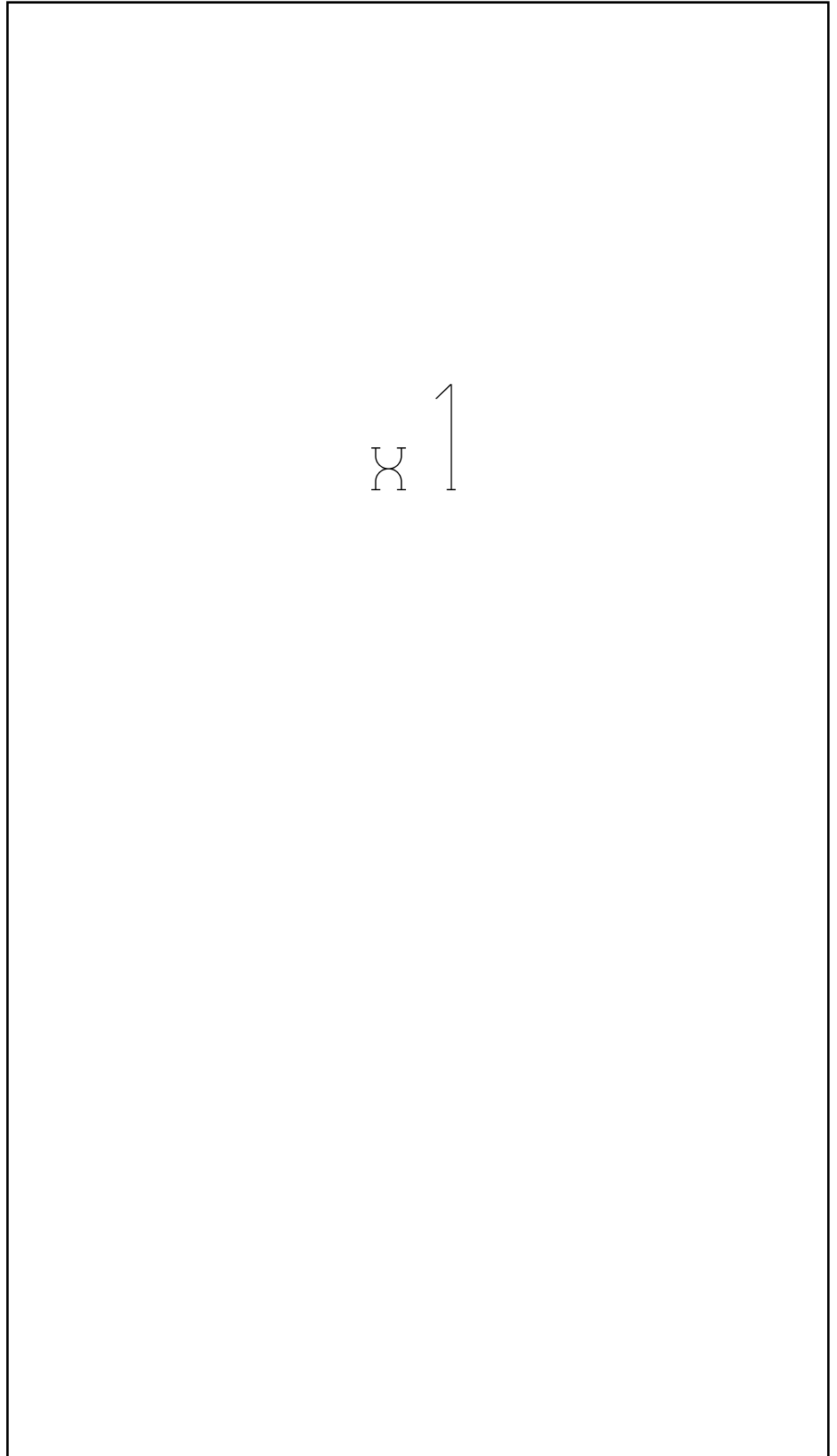
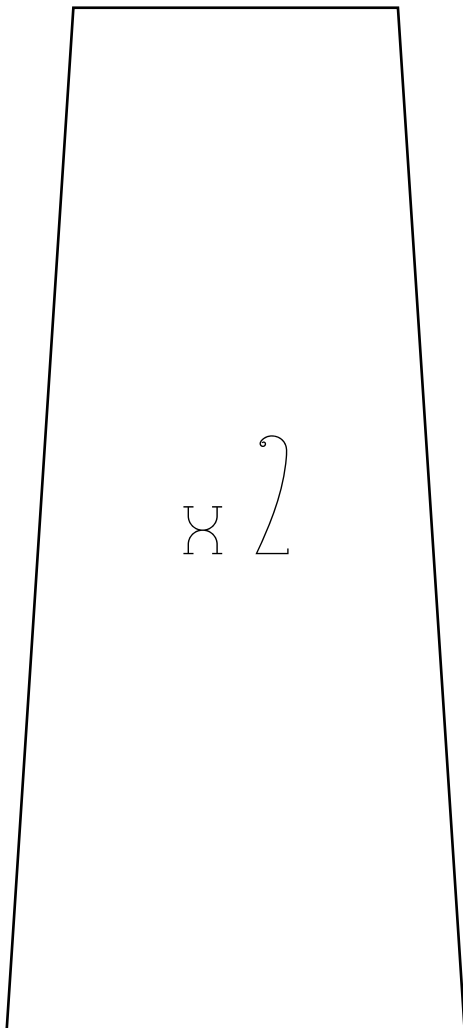
© 2011 by {nifty thrifty things}

1.

Cut out the pattern according to the size of your sewing machine.

Cut two pieces for the sides and one long piece which runs from the front to the back of the sewing machine.

Don't forget a 1/4" seam allowance.

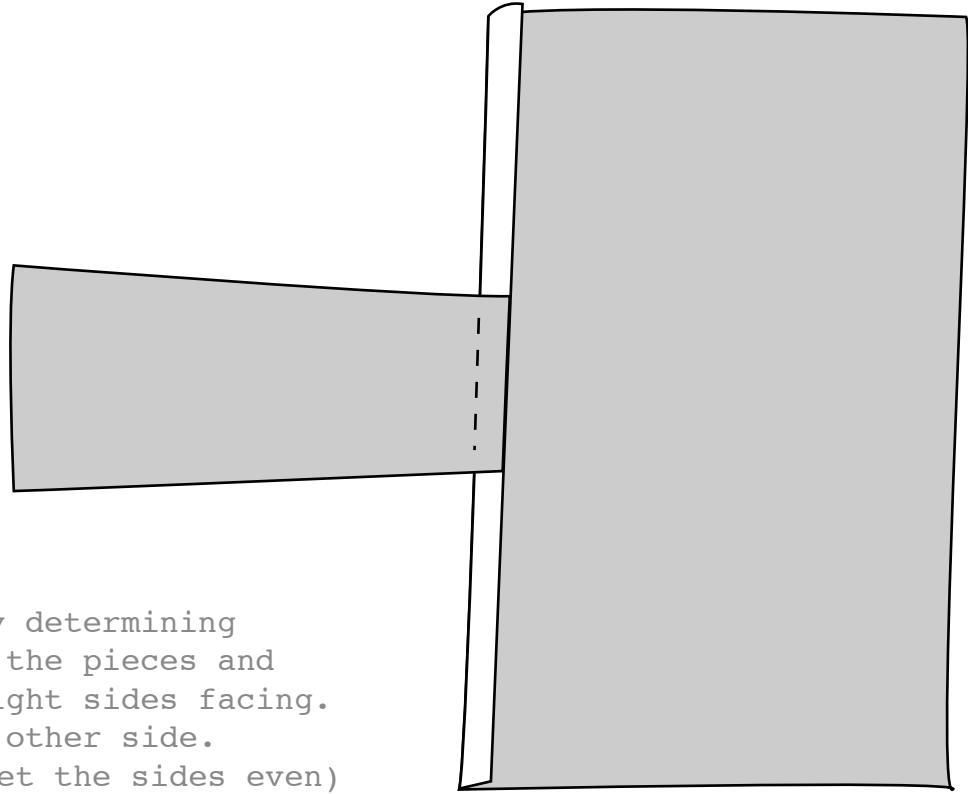


1

{ DIY Sewing Machine Cover }

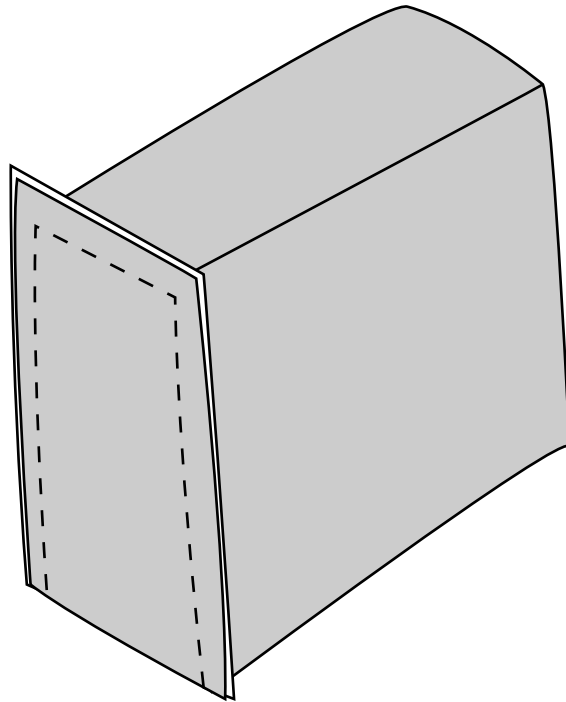
© 2011 by {nifty thrifty things}

2.



Start off by determining
the middle of the pieces and
sew together, right sides facing.
Repeat on other side.
(This helps to get the sides even)

3.

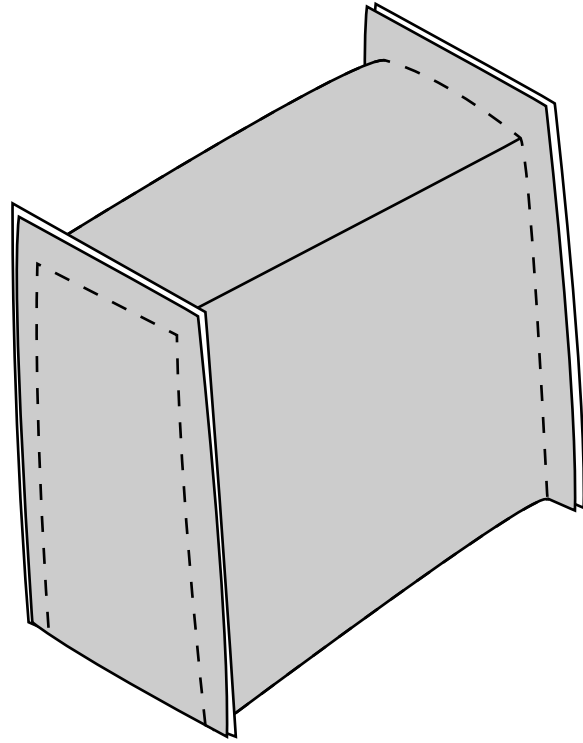


Sew down the edges
on both sides.

{ DIY Sewing Machine Cover }

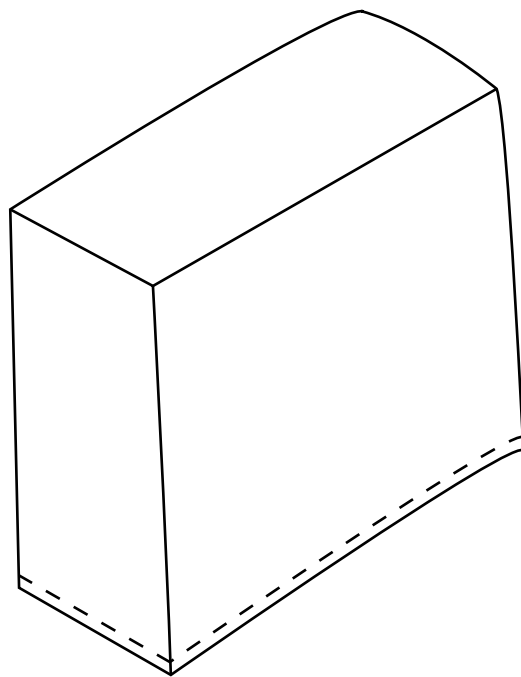
© 2011 by {nifty thrifty things}

4.



Repeat sewing down
the edges on other side.

5.



Turn inside out and
finish off the bottom
by hemming it about 1/4".